



NC2500S

Digital Cinema Projector

(NEC optional Pedestal)

The world's **BRIGHTEST** DLP Cinema™ Projector*¹

NEC's NC2500S with state of the art technology, is best suited for large screen theaters

World's **FIRST** DLP Cinema Projector™ for screens up to 25M (82ft) *¹

Precise 2K (2048 x 1080) resolution

High contrast 2000:1 images

Easy to operate! User friendly!

- World's **FIRST** memory functions for lens position and lamp output *¹
- World's **FIRST** Lamp changes possible from back of projector *¹
- Direct selection buttons for 8 stored titles
- Projector can be controlled from an optional touch screen
- Auto lamp brightness control
- Standard Film projector lamps can be used *²
- Built-in webserver allows basic control of the projector from any web browser

Minimal maintenance

DMD shielding prevents dust, oil and smoke particles from settling on DMD surface

*¹ Among DLP Cinema™ Projectors, according to a survey conducted by NEC in December, 2005.

*² Compatible third-party film projector lamps will be listed on NEC's website after verification from time to time.

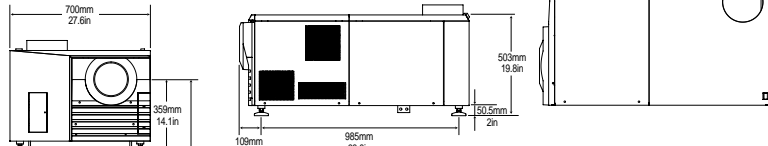
Specifications

Projection method	3-chip DMD reflection method (DLP™ method)	
DMD specification	Size, Type, Resolution 1.2", 12" tilt angle, 2048 x 1080 pixels	
Light Output	23,000 ANSI Lumens*1	
Supported screen sizes	15 meters (49 feet)*2 - 25 meters (82 feet)*1 wide	
Contrast ratio	2000 : 1 or above (full on / off)	
Primary lenses	1.45 to 1.8:1 zoom	(Note : select according to magnifications of installation environment)
	1.8 to 2.4:1 zoom	
	2.2 to 3.0:1 zoom	
	3.0 to 4.3:1 zoom	
Lamp bulbs	NEC High efficiency Xenon lamp bulbs	
	NEC 4.5kW lamp bulb	(Note : select according to installation conditions)
	NEC 6.0kW lamp bulb	
	*NEC recommends the use of NEC lamp bulbs in order to maximize luminance efficiency	
Standard film lamp bulbs*3		
DLP Cinema™ functions	CineLink™, CineCanvas™, CinePalette™, CineBlack™	
Lens adjustment functions	Motorized focus, zoom, horizontal/vertical shift*, light shutter(dowser) *Range of motorized shift is dependent on lens	
Cooling method	Liquid cooling system inside, Air cooling system with dust preventing electro-static filter. Thermal dissipation : 30539BTU	
Fan noise	Less than 65 dB	
Power supply voltage*3	Projector head : 200 to 240V AC, 50/60Hz, single phase	
	Lamp power supply unit : 200 to 230V / 380 to 415V AC, 50/60Hz, 3 phases	
Rated input current	Projector head : 5A Max	
	Lamp power supply unit : 28A Max	
Power consumption	Projector head : 950W	
	Lamp power supply unit : 8000W	
Environment	Operational temperatures	5°C to 35°C (41°F to 95°F), humidity : 10% to 85% (non-condensing)
	Storage temperatures	-10°C to 50°C (14°F to 122°F), humidity : 10% to 85% (non-condensing)
Regulations	USA UL60950 FCC Class A Canada CSA60950 ICES-003 Class A Europe EN60950 EN55022 1998, Class A EN55024-1998 EN61000-3-2 EN61000-3-3 Oceania EN60950 AS/NZS 3548 Class A 1995 + A1/2:1997 Japan J60950 VCCI Class A Asia EN60950 CISPR Pub22	
External dimensions	Projector head : 700 (W) x 1100 (D) x 503 (H) (mm) 27.6(W) x 43.3(D) x 19.8(H) (inch) *Excluding lens, lens hood and exhaust stack.	
	Lamp power supply unit : 596(W) x 397(D) x 471(H) (mm) 23.5(W) x 15.7(D) x 18.6(H) (inch)	
	Projector head + Pedestal (NEC Option) : 700 (W) x 1100 (D) x 1357 (H) (mm) 27.6(W) x 43.3(D) x 53.5(H) (inch) *Excluding lens, lens hood, exhaust stack and handle. Including foot.	
	Weight	
Weight	Projector head : Approx. 120kg / 265lb *Excluding lens.	
	Lamp power supply unit : Approx. 50.5kg / 112 lb	
	Projector head + Pedestal(NEC Option) : Approx. 255.5kg / 564 lb *Including Lamp power supply unit	

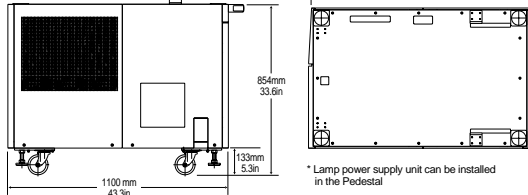
*1 Subject to installation conditions. This can be achieved using NEC 6kW lamp bulb.
*2 Subject to installation conditions.
*3 Compatible third-party film projector lamp bulbs will be listed on NEC's website after verification from time to time.
*4 Power cord for Projection head : Supplied with NC2500S.
Power cord for Lamp power supply unit : Not supplied with NC2500S. Procurement for this cable is required by exhibitors.

Dimensions

Projector head (NC2500S)

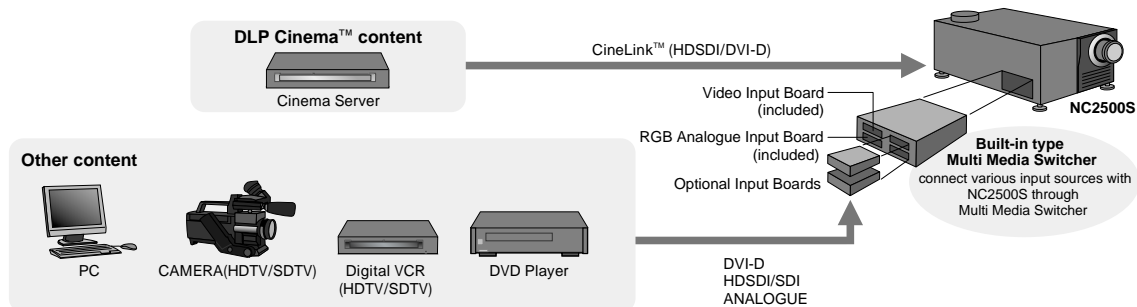


Pedestal (NEC Option)



System configuration

When using various image sources



KDLP-0512-241ZM



for more information

<http://www.nec-pj.com/products/dlpcinema/index.html>

DLP (Digital Light Processing), DLP Cinema, CineLink, CineCanvas, CinePalette and CineBlack are trademarks of Texas Instruments.

All other trademarks are the property of their respective owners.

Specifications are subject to change without prior notice.



*This brochure uses recycled paper.
*This brochure was printed with environment friendly vegetable soybean oil ink.

Empowered by Innovation

NEC

Input / Output terminals

Type	Name	Description	Quantity
Signal	HDS/SDI port	BNC	2
Input	DVI port	DVI-digital	2
External control	PC card slot	For compact flash memory card or wireless LAN card	1
	LAN port	RJ-45	2
	USB port	Type A	1
	Serial port(RS-232C)	D-sub (9-pin)	1
	General Purpose Input / Output	D-sub (37-pin)	1
	Remote control connector	Stereo mini	1

Standard supplied accessories

- Remote control unit
- Cable for remote control unit (16 m / 629 in.)
- Lens holder *necessary to attach to primary lens
- User's manual

Optional accessories

- Pedestal
- Air filter for replacement
 - *This air filter should be replaced whenever a new lamp bulb is replaced.
- Touch panel controller & Holder arm
- Lamp house module without a lamp bulb
- Anamorphic lens 1.25 & Automatic anamorphic lens turret
- Wireless LAN card
- Multi-Media Switcher for alternative content
 - Built-in type Multi-Media Switcher
 - *Video Input Board and Analogue RGB Input Board are included in standard built-in type Multi-Media Switcher. (available in April, 2006)
 - Optional Input Boards for Multi-Media Switcher
 - Single HD/SDI Input Board
 - DVI Input Board
 - Analogue RGB Input Board
 - Video Input Board
- *Optional accessories are subject to change without notice